

Request Date: \_\_\_\_\_ Due Date: \_\_\_\_\_

Rep Territory: \_\_\_\_\_ Stocking Distributor: \_\_\_\_\_

Send Customer Quote to: (check all that apply):  Sales Rep  Stock Distributor  Direct to Customer

Project Name: \_\_\_\_\_ Project Location: \_\_\_\_\_

**Contact Information:**

Name (s): \_\_\_\_\_

Phone: (Office): \_\_\_\_\_ (Cell): \_\_\_\_\_

Email(s): \_\_\_\_\_

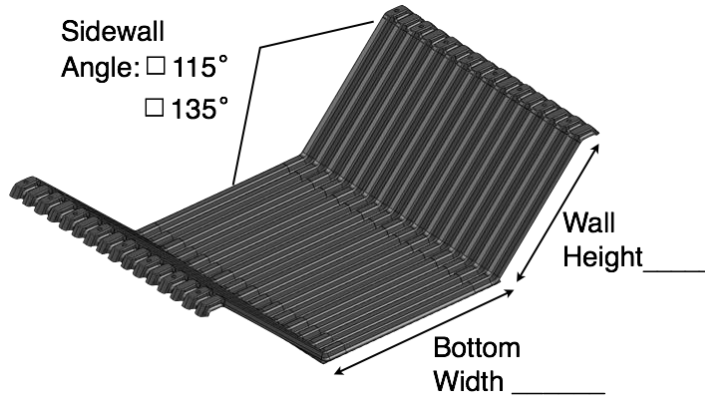
**Project Information:**

Total Length: \_\_\_\_\_ Expected Water Flow (cfs): \_\_\_\_\_ Anticipated

Slope: \_\_\_\_\_

Ditch Dimensions:

*Please complete diagram to the best of your knowledge*



Is the anticipated water flow or capacity expected to vary through the channel? If so, explain: \_\_\_\_\_

Current Ditch:  Existing  New Excavation

Ditch Construction:  Earthen  Concrete Lined  Rip Rap  Other (explain) \_\_\_\_\_

Is there a current budget or price point? \_\_\_\_\_ Anticipated installation date: \_\_\_\_\_

**Please submit this form to:**

Heidi Bulgrin:

Office: 608-742-5301 (x7859)

Fax: 608-745-6989

E-mail : [heidibulgrin@penda.com](mailto:heidibulgrin@penda.com)